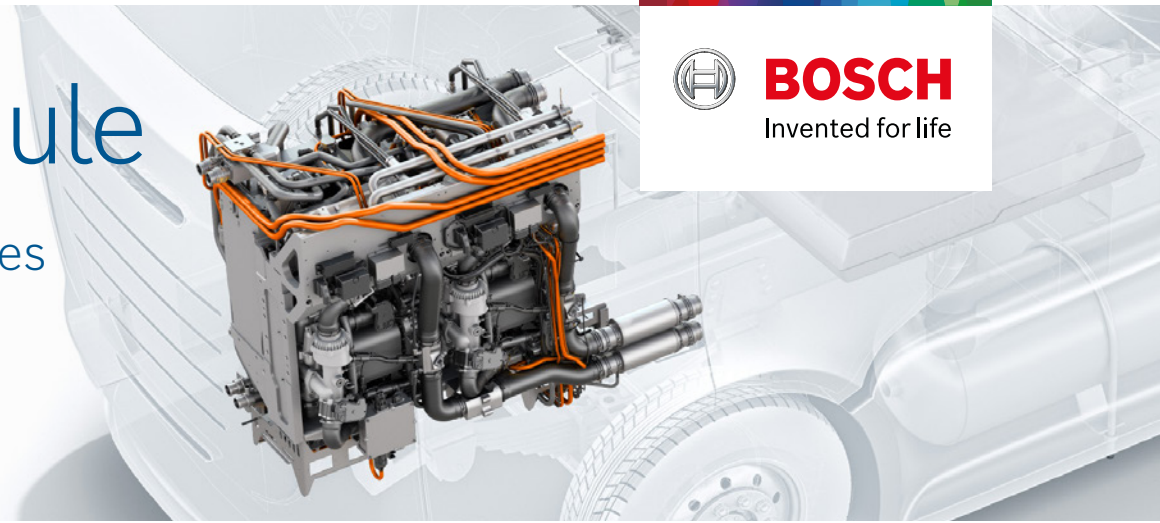
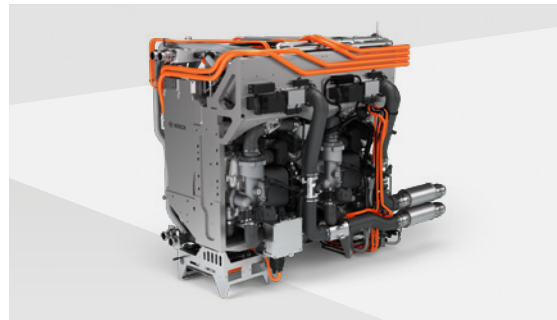
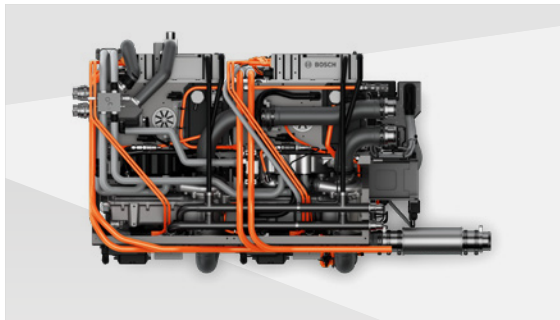


Fuel cell power module

The fuel cell system for commercial vehicles



The fuel cell power module generates electricity from hydrogen in the vehicle. The system contains the fuel cell stack and the submodules required for operation.



scalable

thanks to a modular design

system supplier

providing fuel cell systems from a single source

- ▶ As a systems supplier, Bosch supplies the entire fuel cell system from a single source and is a reliable partner for commercializing mobile fuel cell solutions.
- ▶ Thanks to its robust design and durability, the fuel cell power module is particularly well suited to commercial vehicles' requirements.
- ▶ It excels with its best-in-class power density and still maintains scalability.