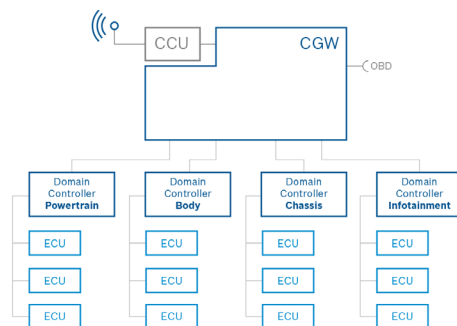


Central gateway

Central in-vehicle communication node



Cross domain communication and connected services



security functions

The gateway protects the in-vehicle network against unauthorized access with various security concepts

integration

The central communication node "Gateway" is the home for the growing number of cross domain functions and IoT services

- ▶ The gateway is the secure central communication node, acts as a router (for in-vehicle communication and through the CCU to the outside) and is the gate for all data coming into the vehicle
- ▶ Due to the access to data, sensors and actors within the whole vehicle, the gateway is able to host upcoming vehicle functions and connected services
- ▶ Supports various bus systems (Ethernet, CAN, LIN)
- ▶ Security functions like firewall and intrusion detection to secure vehicle communication and connected services
- ▶ Enables remote diagnostic services and software updates to keep the vehicle up to date