

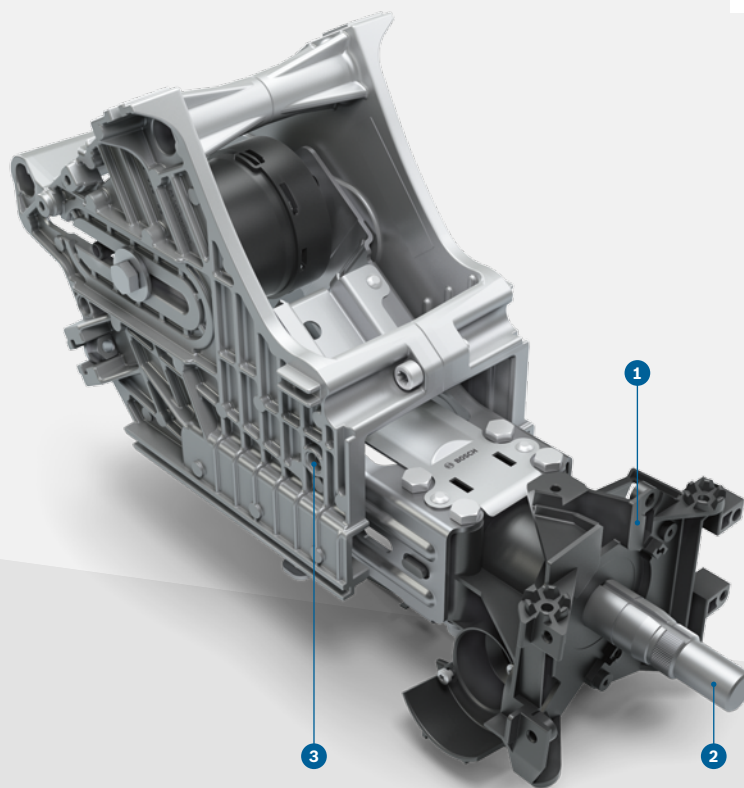
# Steering systems

## Steering column



**BOSCH**

Invented for life



### PRODUCT BENEFITS

- ▶ High transversal stiffness
- ▶ Low turning torque
- ▶ Minimal displacement forces
- ▶ High clamping force
- ▶ Minimal rotational nonuniformity through optimal placement of universal joints and pivot points
- ▶ Integration of clamping device, steering column switch, contact unit, and steering angle sensor

- 1 Upper steering spindle housing
- 2 Steering wheel connection
- 3 Support, including fastening means



# continuously adjustable

For an ergonomic driving position, the steering column is continuously adjustable in terms of height and angle.

## TASK

Steering columns hold the steering wheel, switches, etc. and provide the connection between the steering wheel, the steering shaft, and the steering gear. They are used on medium and heavy commercial vehicles and buses. The steering column, which provides continuously adjustable positioning of the steering wheel in terms of height and angle, offers particular benefits along with additional convenience functions.

## FUNCTION

A modular system ensures maximum variability. The support is manufactured from a lightweight alloy or steel as required by the individual application. A gas spring or cylindrical compression spring integrated into the ball-joint shaft balances the weight distribution between the steering unit and the steering wheel, steering column, switch and, possibly, instrument panel during the adjustment procedure. It is also possible to place the gas spring between the support and board wall.

## TECHNICAL CHARACTERISTICS\*

Operating temperature	-40 °C to +80 °C
Turning torque	<0.3 Nm
Displacement force	Extension: ≤200 N Retraction: ≤60 N
Min. pressure for clamping cylinder	7.8 bar
Height adjustment	82 mm
Weight	6.1 kg
Swivel angle	21° (10°/11°)
Center position to vertical	30°
Stalling torque	≤10 Nm

\*Depends on customer specifications; enhanced specifications possible depending on customer requirements

# lower weight

through use of lightweight components made of magnesium and plastic

- 1 Adjustable steering column
- 2 Steering shaft
- 3 RB-Servocom® steering gear
- 4 Bevel box

